

DH-SD59232XA-HNR

2MP 32x Starlight IR PTZ AI Network Camera



- 1/2.8" STARVIS™ CMOS
- Powerful 32x optical zoom
- Starlight technology
- Max. 25/30fps@2M
- Deep-learning-based auto tracking and perimeter protection
- Support PoE+
- SMD
- IR distance up to 150 m
- IP66



AI series products adopt the most advanced AI technologies, including deep learning algorithms that primarily target people and vehicles, which provides higher flexibility and accuracy for end-users. This enables the Dahua AI series to offer various advanced applications such as Face Recognition, ANPR, Metadata, People Counting, traffic data statistics, etc. The complete lineup of Dahua AI includes network (PTZ) cameras, network video recorders, servers, and more devices. Beyond seeing the world, the power of AI allows devices to perceive the environment and understand the world in a better way.

System Overview

Featuring powerful optical zoom and accurate pan/tilt/zoom performance, this camera provides an all-in-one solution for capturing long distance video surveillance for outdoor applications. Together with infrared illumination and Starlight Technology, the camera is the perfect solution for dark, lowlight applications. The series combines a day/night mechanical IR cut filter for the highest image quality in variable lighting conditions during the day, and True WDR for applications with direct sunlight or glare.

Functions

Starlight Technology

For challenging low-light applications, Dahua's Starlight Ultra-low Light Technology offers best-in-class light sensitivity, capturing color details in low light down to 0.001 lux. The camera uses a set of optical features to balance light throughout the scene, resulting in clear images in dark environments.

Wide Dynamic Range

The camera achieves vivid images, even in the most intense contrast lighting conditions, using industry-leading wide dynamic range (WDR) technology. For applications with both bright and low lighting conditions that change quickly, True WDR (120 dB) optimizes both the bright and dark areas of a scene at the same time to provide usable video.

PFA Technology

PFA technology has innovatively introduced new methods of judgment to ensure the accuracy and predictability of the direction of subject distance adjustment. The result is a set of advanced focusing algorithms. PFA ensures clarity of the image throughout the process of zooming and shortens focus time. The realization of PFA technology substantially improves user experience and increases product value.

Perimeter Protection

Automatically filtering out false alarms caused by animals, rustling leaves, bright lights, etc. Enables system to act secondary recognition for the targets. Improving alarm accuracy.vehicle effectively, sending alarms when human and vehicle intrudes.

SMD

With Deep-Learning Algorithm, Dahua SMD filters the motion detection alarm triggered by non-concerned target and recognize human and vehicle effectively, sending alarms when human and vehicle intrudes.

Environmental

Dahua cameras operate in extreme temperature environments, rated for use in temperatures from -40 °C to +70 °C (-40 °F to +158 °F) with 95% humidity. The camera complies with the IK10 Vandal Resistance impact rating. Subjected to rigorous dust and water immersion tests and certified to the IP67 Ingress Protection rating makes it suitable for demanding outdoor applications.

Protection

The camera allows for ±25% input voltage tolerance, suitable for the most unstable conditions for outdoor applications. Its 8KV lightning rating provides effective protection for both the camera and its structure against lightning.

Interoperability

The camera conforms to the ONVIF (Open Network Video Interface Forum) specifications, ensuring interoperability between network video products regardless of manufacturer.



Technical Specification

Camera

Image Sensor	1/2.8" STARVIS™ CMOS
Max. Resolution	1920 (H) x 1080 (V)
Effective Pixels	2MP
ROM	4GB
RAM	1GB
Electronic Shutter Speed	1/3–1/30000 s
Scanning System	Progressive
Min. Illumination	Color: 0.005Lux@F1.3 B/W: 0.0005Lux@F1.3 0Lux (IR light on)
IR Distance	150 m (492.13 ft)
IR On/Off Control	Zoom Prio/Manual/SmartIR
IR LEDs Number	4

Lens

Focal Length	4.9 mm–156 mm			
Max. Aperture	F1.35–F4.4			
Field of View	H: 68.28°–2.24°; V: 38.9°–1.27°; D: 68.28°–1.44°			
Optical Zoom	32x			
Focus Control	Auto/Semi-Auto/Manual			
Close Focus Distance	0.1 m–1.5 m (0.33 ft–4.92 ft)			
Iris Control	Auto/Manual			
DORI Distance	Detect	Observe	Recognize	Identify
	2092 m (6863 ft)	836 m (2742 ft)	418m (1371 ft)	209m (685 ft)

PTZ

Pan/Tilt Range	Pan: 0°–360°; Tilt: -15°–+90°
Manual Control Speed	Pan: 0.1°/s–300°/s; Tilt: 0.1°/s–200°/s
Preset Speed	Pan: 400°/s; Tilt: 300°/s
Presets	300
Tour	8 (up to 32 presets per tour)
Pattern Number	5
Scanning Number	5
Speed Adjustment	Support
Power-off Memory	Support
Idle Motion	Preset/Tour/Pattern/Scanning
Protocol	DH-SD Pelco-P/D (auto recognition)

Artificial Intelligence

Video metadata	Support human, motor vehicle and non-motor vehicle image capture
----------------	--

Perimeter Protection	Tripwire and intrusion. Support alarm triggering by target types (human and vehicle). Support filtering false alarms caused by animals, rustling leaves, bright lights, etc.
Face Detection	Support face detection; support optimization; support taking snapshots; support uploading high-quality face snapshots; support attributes extraction: 6 attributes and 8 expressions.
SMD	Support

Video

Compression	H.265/H.265+/H.264+/H.264/MJPEG (sub stream)
Streaming Capability	3 streams
Resolution	1080P (1920 × 1080)/1.3M (1280 × 960)/720P (1280 × 720)/D1 (704 × 576/704 × 480)/CIF (352 × 288/352 × 240)
Frame Rate	Main stream: 1080P/1.3M/720P (1–25/30 fps) Sub stream 1: D1/CIF (1–25/30 fps) Sub stream 2: 720P (1–25/30 fps)
Bit Rate Control	Variable Bit Rate/Constant Bit Rate
Bit Rate	H.265/H.264: 3 kbps–20480 kbps
Day/Night	Auto (ICR)/Color/B/W
BLC	Support
WDR	120 dB
HLC	Support
White Balance	Auto/Indoor/Outdoor/Tracking/Manual/Sodium lamp/ Natural light/Street lamp
Gain Control	Auto/Manual
Noise Reduction	2D/3D
Motion Detection	Support
Region of Interest (RoI)	Support
Electronic Image Stabilization (EIS)	Support
Defog	Support
Digital Zoom	16x
Flip	0°/180°
Privacy Masking	Up to 24 areas

Certification

Certifications	CE: EN55032/EN55024/EN50130-4 FCC: Part15 subpartB, ANSI C63.4-2014
----------------	--

Audio

Compression	G.711A; G.711Mu; G.726; AAC; G.722.1; G.723; G.729; PCM; MPEG2-Layer2
-------------	--

Port

Audio In	1
Audio Out	1
Alarm	2/1

Network

Ethernet	RJ-45 (10/100Base-T)
Protocol	IPv4; IPv6; HTTP; HTTPS; 802.1x; Qos; FTP; SMTP; UPnP; SNMPv1/v2c/v3 (MIB-2); DNS; DDNS; NTP; RTSP; RTP; TCP; UDP; IGMP; ICMP; DHCP; PPPoE; ARP; RTCP
Interoperability	ONVIF Profile S&G; CGI
Streaming Method	Unicast/Multicast
User/Host	19 (Total bandwidth 48M)
Edge Storage	FTP; Micro SD card (256G); P2P
Browser	IE7 and newer versions Chrome 42 and older versions Firefox 52 and older versions Safari
Management Software	Smart Player Smart PSS DSS Easy4ip
Smart Phone	IOS/Android

Power

Power Supply	AC24V/3A±25% PoE+ (802.3at)
Power Consumption	11W 24W (IR on)

Environment

Operating Temperature	-40°C to +70°C (-40°F to +158°F)
Operating Humidity	≤95%RH
Ingress Protection	IP66; TVS 6000V lightning protection; surge protection

Construction

Dimensions	Φ186 mm x 309 mm (7.32" x 12.17")
Net Weight	3.9 kg (8.60 lb)
Gross Weight	7.01 kg (15.45 lb)
Casing	Metal

Accessories	PFB303W	Wall Mount
	PFA110	Mount Adapter
	AC24V/3A	Power Adapter
	PFA140	Power Box
	PFB300C	Ceiling Mount
	PFA120	Junction Box
	PFA150	Pole Mount
	PFA151	Corner Mount
PFB303S	Parapet Mount	

Accessories

Included:



PFB303W
Wall Mount



PFA110
Mount Adapter



AC24V/3A
Power Adapter

Optional:



PFA140
Power Box



PFB300C
Ceiling Mount



PFA120
Junction Box



PFA150
Pole Mount



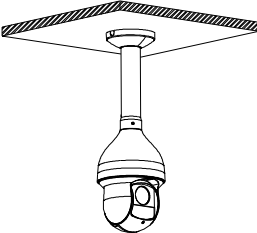
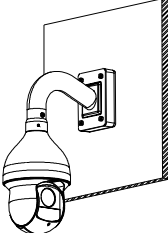
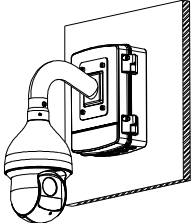
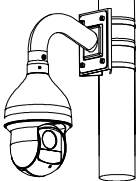
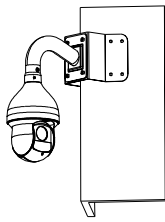
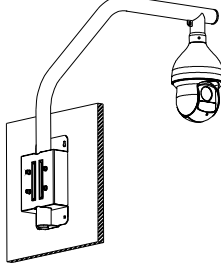
PFA151
Corner Mount



PFB303S
Parapet Mount

Ordering Information

Type	Part Number	Description
2MP PTZ Camera	DH-SD59232XA-HNR	2MP 32x Starlight IR PTZ AI Network Camera, WDR, PAL
	DH-SD59232XAN-HNR	2MP 32x Starlight IR PTZ AI Network Camera, WDR, NTSC
	SD59232XA-HNR	2MP 32x Starlight IR PTZ AI Network Camera, WDR, PAL
	SD59232XAN-HNR	2MP 32x Starlight IR PTZ AI Network Camera, WDR, NTSC

Ceiling Mount	Junction Mount
PFA110+PFB300C	PFA110+PFB300S+PFA120
	
Power Box Mount	Pole Mount
PFA110+PFB300S+PFA140	PFA110+PFB300S+PFA150
	
Corner Mount	Parapet Mount
PFA110+PFB300S+PFA151	PFA110+PFB303S
	

Dimensions (mm[inch])

